

GRAPHIC DIAGRAMS FOR ELEMENT 4 EXTRA CLASS EFFECTIVE JULY 1, 2008

Figure E5-2

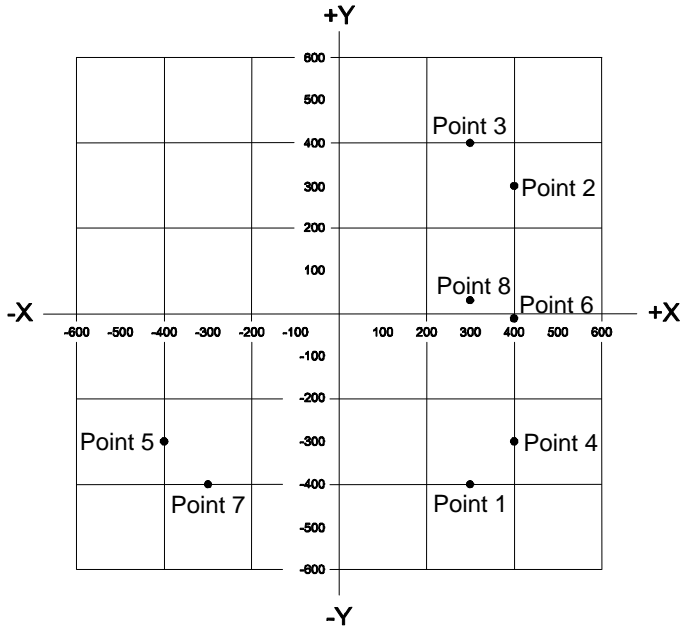


Figure E6-1

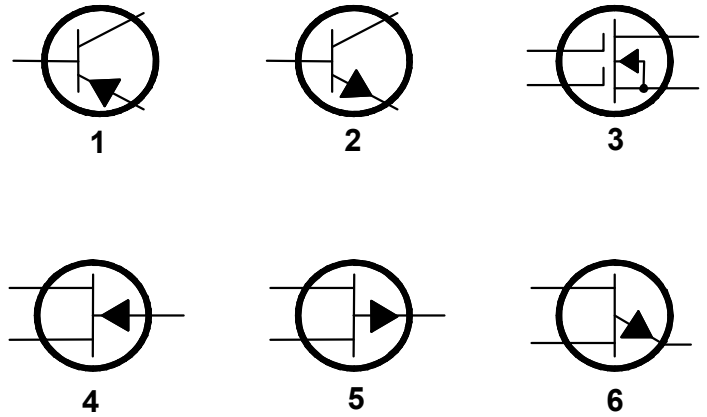


Figure E6-2

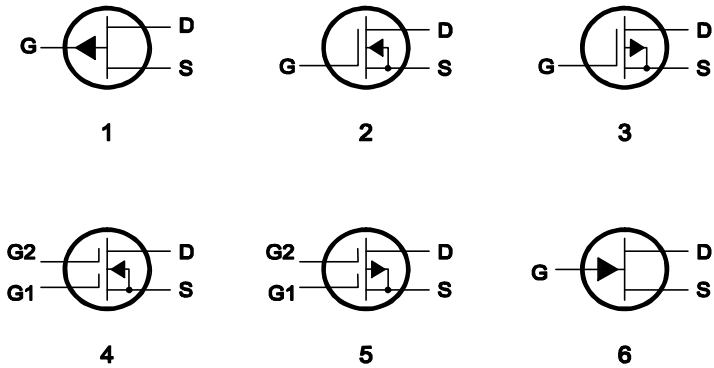


Figure E6-3

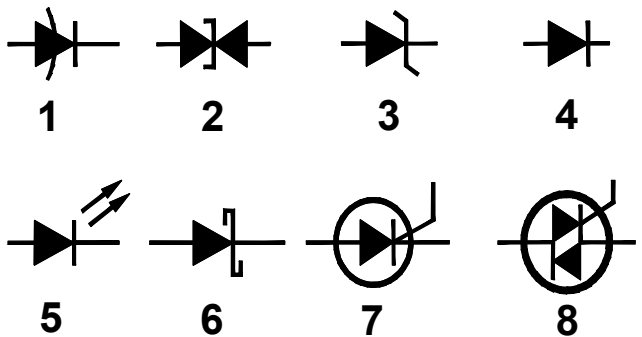


Figure E6-5

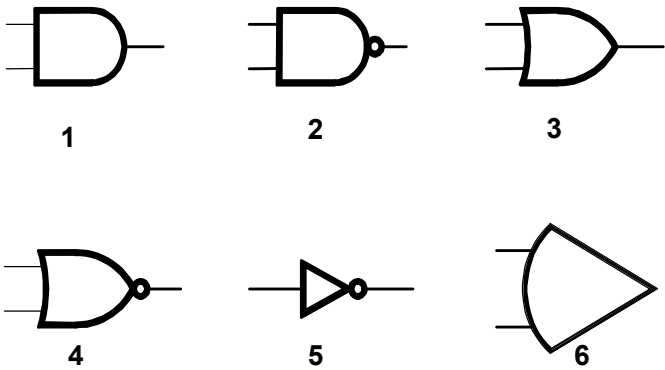


Figure E7-1

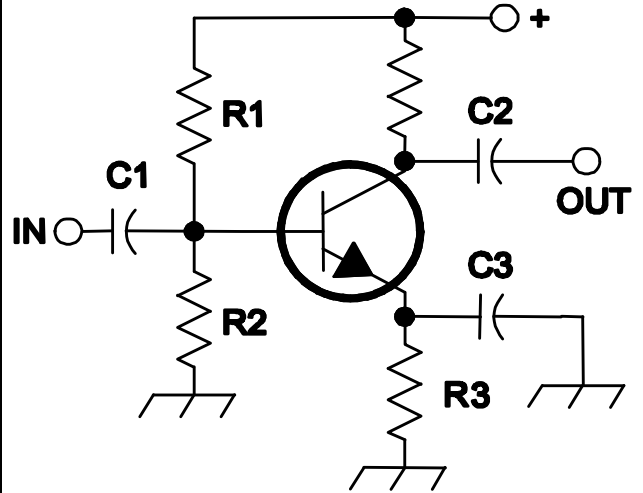


Figure E7-2

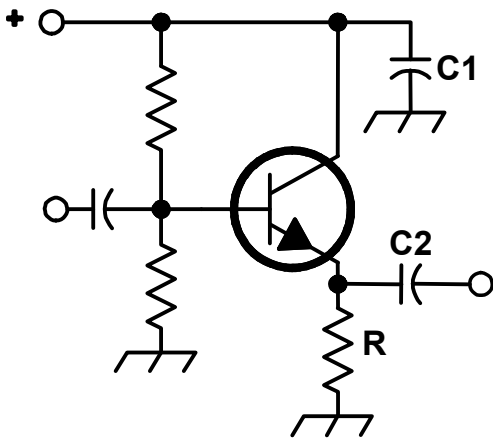


Figure E7-3

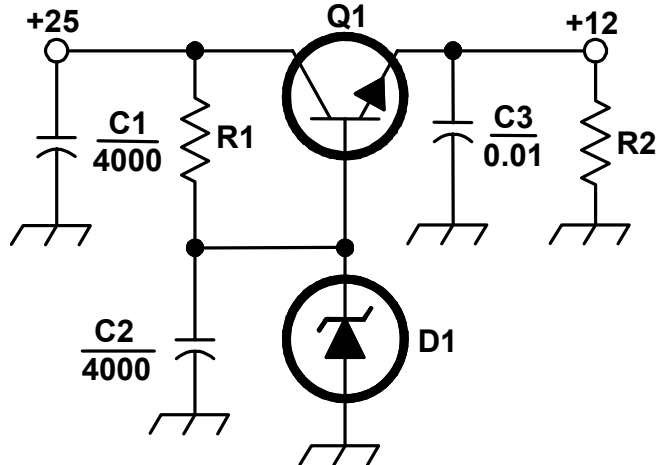


Figure E7-4

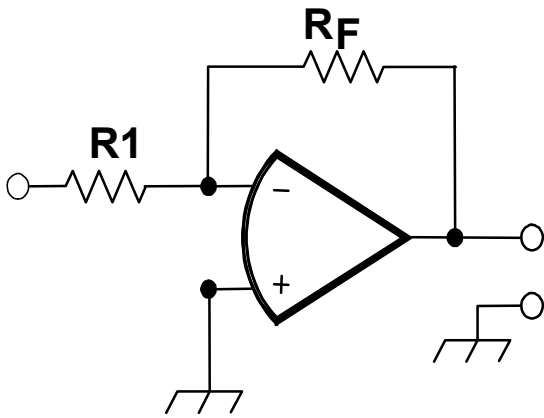


Figure E9-1

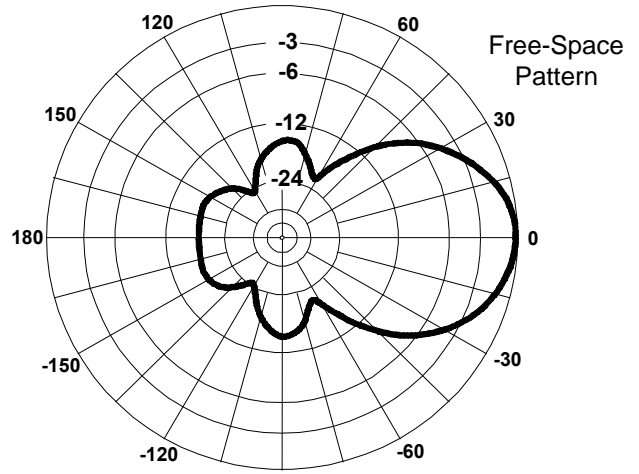


Figure E9-2

Over Real Ground

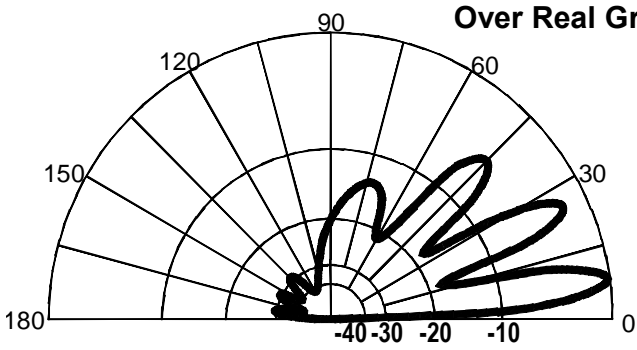


Figure E9-3

