



- (51) **International Patent Classification:**
E21B 33/134 (2006.01) *E21B 47/00* (2006.01)
E21B 47/12 (2006.01)
- (21) **International Application Number:**
PCT/EP2009/008425
- (22) **International Filing Date:**
24 November 2009 (24.11.2009)
- (25) **Filing Language:** English
- (26) **Publication Language:** English
- (30) **Priority Data:**
08170140.1 27 November 2008 (27.11.2008) EP
- (71) **Applicant (for FR only): SERVICES PETROLIERS SCHLUMBERGER** [FR/FR]; 42, rue Saint Dominique, 75007 Paris (FR).
- (71) **Applicant (for AE, AL, AU, AZ, BG, CO, CZ, DE, DK, GR, HU, ID, IE, IL, IT, KP, KR, KZ, LT, MX, MY, NO, NZ, OM, PL, RO, RU, SI, SK, TM, TN, TR, TT, UA, UZ, ZA only): SCHLUMBERGER TECHNOLOGY B.V.** [NL/NL]; Parkstraat 83-89, 2514 JG The Hague (NL).
- (71) **Applicant (for GB, JP, NL only): SCHLUMBERGER HOLDINGS LIMITED;** PO Box 71, Craigmuir Chambers, Road Town - Tortola (VG).
- (71) **Applicant (for CA only): SCHLUMBERGER CANADA LIMITED** [CA/CA]; 525 - 3rd Avenue S.W., Calgary, Alberta, Canada T2P 0G4 (CA).
- (71) **Applicant (for all designated States except AE, AL, AU, AZ, BG, CA, CO, CZ, DE, DK, FR, GB, GR, HU, ID, IE, IL, IT, JP, KP, KR, KZ, LT, MX, MY, NL, NO, NZ, OM, PL, RO, RU, SI, SK, TM, TN, TR, TT, UA, US, UZ, ZA): PRAD RESEARCH AND DEVELOPMENT LIMITED;** PO Box 71, Craigmuir Chambers, Road Town - Tortola (VG).
- (72) **Inventors; and**
- (75) **Inventors/Applicants (for US only): SHAMPINE, Rod** [US/US]; 703 E. 24th Street, Houston, Texas 77008 (US). **GUILLOT, Dominique** [FR/FR]; 5 rue Leon Bloy, 92260 Fontenay aux roses (FR). **MILLER, Douglas** [US/US]; 224 Marlborough #52, Boston MA 02116, USA (US). **FLAMANT, Nicolas** [FR/FR]; 5, rue Theophile Gautier, 92120 Montrouge (FR). **VIGNEAUX, Pierre** [FR/FR]; 36, rue Grande, 77950 Moisenay (FR).
- (74) **Agent: VANDERMOLEN, Matthieu;** Etudes Et Productions Schlumberger, 1, rue Henri Becquerel, Bp 202, F-92142 Clamart Cedex (FR).
- (81) **Designated States (unless otherwise indicated, for every kind of national protection available):** AE, AG, AL, AM, AO, AT, AU, AZ, BA, BB, BG, BH, BR, BW, BY, BZ, CA, CH, CL, CN, CO, CR, CU, CZ, DE, DK, DM, DO,

[Continued on next page]

(54) **Title:** METHOD FOR MONITORING CEMENT PLUGS

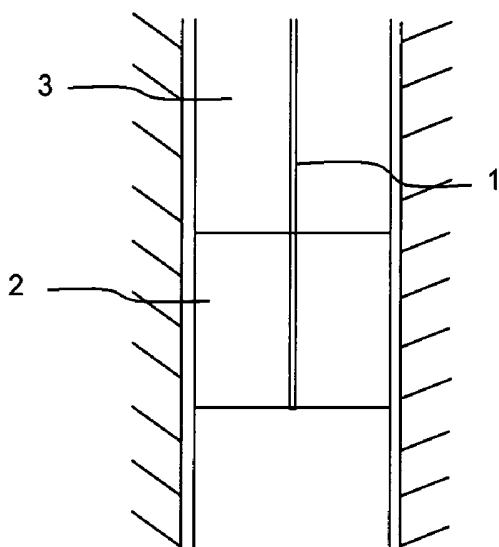


Figure 1

(57) **Abstract:** A method for method of monitoring the parameters of a cement plug (2) in a wellbore comprises; pumping a cement slurry down a wellbore to form a cement plug (2); providing a cable (1) through the cement plug (2) before the cement plug sets, wherein the cable comprises a sensor (4) for monitoring parameters of the cement plug; locating the sensor at the bottom of the cement plug (2); operating the sensor to measure parameters of the cement plug; and transmitting information regarding the measurement to the surface.

WO 2010/060620 A1



DZ, EC, EE, EG, ES, FI, GB, GD, GE, GH, GM, GT, HN, HR, HU, ID, IL, IN, IS, JP, KE, KG, KM, KN, KP, KR, KZ, LA, LC, LK, LR, LS, LT, LU, LY, MA, MD, ME, MG, MK, MN, MW, MX, MY, MZ, NA, NG, NI, NO, NZ, OM, PE, PG, PH, PL, PT, RO, RS, RU, SC, SD, SE, SG, SK, SL, SM, ST, SV, SY, TJ, TM, TN, TR, TT, TZ, UA, UG, US, UZ, VC, VN, ZA, ZM, ZW.

TM), European (AT, BE, BG, CH, CY, CZ, DE, DK, EE, ES, FI, FR, GB, GR, HR, HU, IE, IS, IT, LT, LU, LV, MC, MK, MT, NL, NO, PL, PT, RO, SE, SI, SK, SM, TR), OAPI (BF, BJ, CF, CG, CI, CM, GA, GN, GQ, GW, ML, MR, NE, SN, TD, TG).

(84) Designated States (unless otherwise indicated, for every kind of regional protection available): ARIPO (BW, GH, GM, KE, LS, MW, MZ, NA, SD, SL, SZ, TZ, UG, ZM, ZW), Eurasian (AM, AZ, BY, KG, KZ, MD, RU, TJ,

Published:

- with international search report (Art. 21(3))
- with amended claims (Art. 19(1))

Method for monitoring cement plugs

Technical field

[0001] This invention relates to a method for completing a well. In particular the invention relates to a method for determining the parameters of a cement plug in a wellbore.

Background art

[0002] After a well has been drilled there are often situations where the well must be sealed off. This is normally performed with a cement plug. Other situations that may require sealing off an area of a well include: when a side track is needed during the drilling process; curing lost circulation during drilling; when a zone must be permanently isolated; and when a wellbore is going to be plugged and abandoned.

[0003] The cement plug is typically constructed by pumping a small amount of cement slurry down a drill pipe where it later sets solid to form a plug. Drilling operations can resume when the cement plug has set and developed enough strength to fulfil its objective.

[0004] In most situations the cement plug must be located some distance off the bottom of the wellbore in either a tubular or open hole section of the well. In order to achieve this, a viscous pill, generally composed of a dense viscous bentonite and sodium silicate mixture, is spotted in the borehole, to support the cement plug. A variation on this method includes the use of an "umbrella" device placed under the drill pipe to support the plug instead of the pill. Alternatively an expanding basket with a membrane over it can be inserted into the wellbore in front of a dart that can be pumped down a drill pipe. The basket expands below the drill pipe on top of which cement is placed.

[0005] Problems with these methods are that they result in two heavy fluids stacked on top of a light fluid. One or both fluid interfaces can become unstable leading to inversion. The heavy fluid(s) move down one side of the borehole and the light fluid fluids move up the other side. Considerable mixing and contamination may then occur during the movement of the fluid. The channel formed prevents a pressure seal from being achieved and also significantly reduces the plug's mechanical

strength. The mixing of the fluids can also destroy the mechanical strength of the plug. Cement plugs can fail up to third of the time. In lost circulation situations failure rates of cement plugs can be as high as 50%.

[0006] Determining whether the plug setting is successful at all, i.e. if the cement is hard enough to side track against and/or if the cement is hard enough to pressure test against, adds significant rig time due to the waiting on cement. Also cement plugs are only placed through drill bits in certain well control situations, and all other situations require tripping out. Thereby requiring installation of the production tube at the bottom of the string, running in and placing the plug. If the cost of tripping out is very high the string may be left in place during the waiting period and then used to tag the plug, in this case a new plug may be placed immediately. Otherwise the driller will trip out and trip back in the drill bit. Once the waiting time is over the driller will try to tag the cement. If the cement is still soft, the driller will wait for longer. As there is great uncertainty about when it is safe to resume drilling operations, to mitigate the risk of resuming drilling operations too soon, it is common practice to wait extra time, typically 24 hours, before resuming drilling.

[0007] Therefore it is an object of the invention to provide a method for monitoring a cement plug during in real time to determine the properties of the cement plug.

Disclosure of the invention

[0008] A first aspect of the invention provides a method of monitoring the parameters of a cement plug in a wellbore comprising;

- Placing a cable in the wellbore, wherein said cable comprises a sensor for monitoring parameters of the cement plug;
- Locating the extremity of said cable in the proximity of the planned bottom of the cement plug;
- Pumping a cement slurry down a wellbore to form the cement plug;
- Extending said cable such that its upper end is above the top of the cement plug before the cement plug sets
- Operating the sensor to measure parameters of the cement plug; and
- Transmitting information regarding the measurement to the surface.

- [0009] Preferably the method comprises extending the cable during the pumping of the cement slurry. The cable is preferably extended to surface.
- [0010] In another embodiment the method comprises locating the sensor in the cement plug.
- [0011] The cable can also comprise an upper sensor module, wherein the method comprises deploying the cable into the cement plug such that the upper module is located in the proximity of the top of the cement plug.
- [0012] Alternatively, the method for monitoring the parameters of a cement plug in a wellbore comprises;
- Placing a sensor in the wellbore;
 - Pumping cement slurry down a wellbore to form the cement plug;
 - Providing a cable through the cement plug before the cement plug sets, wherein the cable comprises a sensor for monitoring parameters of the cement plug;
 - Attaching the cable to the sensor after the cement is pumped down the wellbore;
 - Operating the sensor to measure parameters of the cement plug; and
 - Transmitting information regarding the measurement to the surface.
- [0013] The method can comprise deploying the cable from the surface. The cable can be deployed from the surface using fluid pumped through a placement conduit. A weight can be provided on the end of the cable to assist the deployment of the cable.
- [0014] When the cable is stored on the placement conduit the method comprises deploying the cable from the placement conduit used to place the cement plug. The cable can be stored on a tubular element detachable from the end of the placement conduit, wherein the method comprises detaching the tubular element from the placement conduit after the cement is placed and removing the placement conduit from the wellbore, such that the tubular element remains in the cement.
- [0015] Mechanical means can be provided in the wellbore to assist the deployment of the cable. Mechanical means such as vibrators, propellers, pumps, wheels and /or tracks can be used.

- [0016] Preferably the cable comprises a fibre optic cable and/or an electrical cable.
- [0017] The sensors are used to determine the length of the cement plug, evaluate the solidity of the cement plug, to determine the location of the plug, and/or to evaluate the setting of the cement plug. The sensor may be a temperature sensor, pressure sensor, electrical conductivity sensor, vibration sensor, accelerometer, impedance sensor, or other sensor, and/or is capable of making distributed vibration measurements.
- [0018] The method can further comprise locating a signally apparatus at the top of the cement plug; and transmitting information regarding the measurement to the surface via the signalling device. The signalling device can comprise an acoustic pressure source.
- [0019] The cable is provided during pumping of the cement slurry. Alternatively the cable can be provided into the wellbore after pumping of the cement slurry.

Brief description of the drawings

- [0020] Figure 1 shows a schematic view of the cable located in the cement plug;
Figure 2 shows the deployment of the cable through the cement plug;
Figure 3 shows deployment of the cable from the placement tube; and
Figure 4 shows an embodiment of the deployment of the cable through the cement plug.

Mode(s) for carrying out the invention

- [0021] The invention comprises deploying a cable into a cement plug before the cement has set to take measurements for determining properties of the cement plug. The cement slurry may be placed by any known method for forming a cement plug in a wellbore. Cement can be pumped down a cement placement tube to a desired location. The cable is deployed into the cement plug prior to the placement of the cement and prior to the setting of the plug. After the cement has set at least a portion of the cable will be encased in the set cement. The cable comprises sensors to monitor parameters of the cement. The presence of the sensors allows information about the plug to be obtained. As the

properties of the cement change with time as it sets, the operator can follow in real time the actual properties of the cement plug. This enables the operator to make timely decisions based on the measurements made, on when further wellbore operations can be resumed, thereby minimising unproductive time.

[0022] Information that can be obtained includes information on the location of the plug, the dimensions of the plug, setting state of the plug, identification of channelling occurring in the plug. The information obtained can be used to determine when the cement plug has set sufficiently to enable further wellbore operations to begin i.e. if the cement is hard enough to allow side tracking to begin.

[0023] Figure 1 shows a first embodiment of the invention. The cable 1 is deployed into the cement plug 2 in the wellbore 3 such that a sensor is located at the bottom of the cement plug at the interface of the cement plug and well fluid and a portion of the cable extends along a substantial length of the plug.

[0024] The cable can be deployed from the surface using fluid pumped through the placement conduit. A weight can be attached to the end of the cable to assist the deployment of the cable. The end of the placement conduit can be provided with mechanical means such as vibrators, propellers, pumps, wheels and tracks etc, to assist the deployment of the cable, down the wellbore and into the cement plug.

[0025] The cable is connected to a control system at the surface (not shown). The cable is deployed from the surface into the cement slurry before the cement has time to set. The cable extends from the surface through the cement slurry, such that a portion of the cable extends down the length of the cement plug. The cable comprises sensors to make measurements and is positioned in the cement plug so that a sensor is located at the bottom of the cement plug. Once positioned in the cement plug the sensors are then used to make measurements to determine properties of the cement plug. The measurements taken are transmitted up to the surface via the cable. Other telemetry methods can also be used to transmit the information to the surface.

[0026] Figure 2 shows an alternative embodiment of the invention where the cable 1 is deployed from the surface through the cement plug 2 such that one end of the cable is attached to a lower sensor module 4 located in the wellbore 3 below the cement plug 2 while the other end of the cable 1 is connected to the control system (not shown) on the surface. In addition to being a sensor the lower sensor module 4 may also be present in the wellbore 3 to support the cement plug. In some situations the module may be further located below the supporting pill, in which case the cable will pass through both the cement plug and pill.

[0027] The lower sensor module may be located at or below the bottom of the cement plug. Alternatively the sensor may be located on both sides of the lower boundary of the cement plug so only a part of the lower sensor module is located in the cement plug, with the rest of the sensor in contact with the wellbore fluid. In order to position the lower sensor module at or below the bottom of the cement plug, the sensor module is constructed such that a density difference between the module and the plug and/or pill exists and allows the sensor to be located at the desired position relative to the cement plug. The lower sensor module can comprise a system to produce acoustic signals or pulses that propagate upward through the plug. Such signals can be tracked by the cable and will allow the length of the cement to be measured, and the location of interfaces, the quality of the cement/wellbore interfaces, and the setting of the cement, (by preventing the easy passage of such signals), to be determined.

[0028] The cable can also comprise an upper sensor module to be located in the upper region of the cement plug. The upper sensor is preferably lighter than the cement but heavier than the mud, such that when the cable is deployed the module is positioned to sit at the interface of the cement plug and wellbore fluid.

[0029] As shown in Figure 3, in an alternative embodiment of the invention a storage system 5 comprising the cable 1 is attached to the lower end of the placement conduit 6. Once the cement has been placed in the desired location the placement conduit 6 is raised sufficiently to be clear of the top surface of the cement plug 2 and the cable 1 is deployed from the system

5 into the cement plug 2. Measurements are taken using the sensors of the cable 1. A communication wire (not shown) can connect the cable 1 to the surface and transmit information regarding the measurements taken of the cement plug, to the surface. The storage system may be conveyed to surface by removing the placement conduit, leaving the cable deployed along the length of the well. Alternatively, the storage system may be returned to surface by pumping fluid or by running wireline or slickline down the centre of the placement conduit to retrieve the system.

[0030] In a further embodiment a detachable tubular element is located on the end of the placement conduit. The tubular element is detached after the cement is placed and is left behind in the cement. The tubular element comprises the storage system for the cable such that the cable may be paid out as needed.

[0031] With reference to Figure 4 the system can also be provided with an upper signalling module 7. The upper signalling module conveys information to the surface. The signalling module can comprise an acoustic pressure generating mechanism or alternatively the module may comprise a device that can change its acoustic properties sufficiently that such changes can be detected from surface when the device is interrogated by an acoustic wave from surface. The upper signalling module is particular suitable when the cable does not extend to the surface.

[0032] Preferably the cable is a fibre optic cable, in particular a cable capable of making distributed vibration measurements. However the cable may be formed from a plurality of cables and may be formed from both electrical and fibre optic cables. The cable can comprise all or part of the sensing system, for example an optical distributed temperature sensor. Other wave guide members or sensing strings may also be incorporated into the cable. As well as acting as a sensing cable the cable also acts as a communication wire, allowing information to be transmitted to and from the surface.

[0033] In one embodiment the cable comprises both fibre optic and electrical cables, with the portion of the cable passing through the cement

plug comprising the electrical cable having an attachment mechanism to connect to the optical fiber which leads to the surface. The electrical cable can be used as a sensor to detect the length of the cement plug and/or to evaluate the solidity of the plug. Measurements based on capacitance, resistance, conductivity, and stress area can be used to determine this information. The electrical cable can comprise electrodes for resistivity measurements at one or more locations in the plug, to help determine the setting length, location and/or to measure the solidity of the plug.

Electromagnetic coils may also be located on the electrical cable, to also enable measurements such as resistivity measurements to help determine the setting length, location and solidity of the plug.

[0034] The cable can comprise a one or more temperature sensing element such as distributed temperature sensing element. Guided wave radar may also be used along the cable to detect interfaces and/or the solidity of the cement.

[0035] Where there are electronics in the cables these may be activated any one of a number of methods; such as signals from down the cable, switching means before they are run into the hole, detecting the launching of the cable from a setting tool, pressure codes, dissolved elements etc. The sensors of the upper and lower sensor modules can also be activated by signals received down the cable to which the sensor modules are attached to. The signals may originate from the surface, or through the detection of actions occurring in the wellbore.

[0036] Various changes within the scope of the invention can also be made.

Claims

1. A method for monitoring the parameters of a cement plug in a wellbore comprising;
Deploying a cable in the wellbore, wherein said cable comprises a sensor for monitoring parameters of the cement plug;
Locating the extremity of said cable in the planned proximity of the cement plug;
Pumping cement slurry down a wellbore to form the cement plug;
Extending said cable such that its upper end is above the top of the cement plug before the cement plug sets
Operating the sensor to measure parameters of the cement plug; and
Transmitting information regarding the measurement to the surface.
2. A method according to claim 1 wherein the cable is extended during the process of pumping the slurry.
3. A method according to claim 1 or 2 wherein the cable is extended to surface.
4. A method according to claim 1 comprising locating the sensor below the cement plug.
5. A method according to any of claims 1 to 4 wherein the cable further comprises an upper sensor module, the method comprising deploying the cable into the cement plug such that the upper sensor module is located at the top of the cement plug.
6. A method according to any of claims 1 to 5 comprising deploying the cable from the surface using fluid pumped through the placement conduit .
7. A method according to any of claims 1 to 6 wherein the cable is stored on a placement conduit and the method comprises deploying the cable from the placement conduit.

8. A method according to claim 7 wherein the cable is stored on a section of tubular element detachable from the end of the placement conduit, the method comprising detaching the tubular element from the placement conduit after the cement is placed and removing the placement conduit from the wellbore, such the tubular element remains in the cement.
9. A method according to any one of claims 1 to 8 wherein the cable comprises a fibre optic cable and/or and electrical cable.
10. A method according to any one of claims 1 to 9 wherein the sensor is used to determine the length of the cement plug, evaluate the solidity of the cement plug, to determine the location of the plug, and/or to evaluate the setting of the cement plug.
11. A method according to any one of claims 1 to 10 wherein the sensor is a temperature sensor, a pressure sensor, a conductivity sensor, a vibration sensor, an accelerometer, an impedance sensor and/or is capable for making distributed vibration measurements.
12. A method according to any of claims 1 to 11 further comprising locating a signalling apparatus at the top of the cement plug; and transmitting information from the sensors to the surface via the signalling apparatus.
13. A method for monitoring the parameters of a cement plug in a wellbore comprising;
 - Placing a sensor in the wellbore;
 - Pumping cement slurry down a wellbore to form the cement plug;
 - providing a cable through the cement plug before the cement plug sets, wherein the cable comprises a sensor for monitoring parameters of the cement plug;
 - Attaching the cable to the sensor after the cement is pumped down the wellbore;
 - Operating the sensor to measure parameters of the cement plug; and

Transmitting information regarding the measurement to the surface.

14. A method according to claim 13 wherein the cable comprises a sensor for monitoring parameter of the cement plug.

15. A method according to claims 13 and/or 14 comprising deploying the cable from the surface.

AMENDED CLAIMS
received by the International Bureau on 16 April 2010

Claims

1. A method for monitoring the parameters of a cement plug in a wellbore comprising;
Deploying a cable in the wellbore, wherein said cable comprises a sensor for monitoring parameters of the cement plug;
Locating the extremity of said cable below the bottom of the cement plug;
Pumping cement slurry down a wellbore to form the cement plug;
Extending said cable such that its upper end is above the top of the cement plug before the cement plug sets
Operating the sensor to measure parameters of the cement plug; and
Transmitting information regarding the measurement to the surface.
2. A method according to claim 1 wherein the cable is extended during the process of pumping the slurry.
3. A method according to claim 1 or 2 wherein the cable is extended to surface.
4. A method according to any of claims 1 to 3 wherein the cable further comprises an upper sensor module, the method comprising deploying the cable into the cement plug such that the upper sensor module is located at the top of the cement plug.
5. A method according to any of claims 1 to 4 comprising deploying the cable from the surface using fluid pumped through the placement conduit .
6. A method according to any of claims 1 to 5 wherein the cable is stored on a placement conduit and the method comprises deploying the cable from the placement conduit.
7. A method according to claim 6 wherein the cable is stored on a section of tubular element detachable from the end of the placement conduit, the method comprising detaching the tubular element from the placement conduit after the cement is placed

and removing the placement conduit from the wellbore, such the tubular element remains in the cement.

8. A method according to any one of claims 1 to 7 wherein the cable comprises a fibre optic cable and/or and electrical cable.
9. A method according to any one of claims 1 to 8 wherein the sensor is used to determine the length of the cement plug, evaluate the solidity of the cement plug, to determine the location of the plug, and/or to evaluate the setting of the cement plug.
10. A method according to any one of claims 1 to 9 wherein the sensor is a temperature sensor, a pressure sensor, a conductivity sensor, a vibration sensor, an accelerometer, an impedance sensor and/or is capable for making distributed vibration measurements.
11. A method according to any of claims 1 to 10 further comprising locating a signalling apparatus at the top of the cement plug; and transmitting information from the sensors to the surface via the signalling apparatus.
12. A method for monitoring the parameters of a cement plug in a wellbore comprising;
Pumping cement slurry down a wellbore to form the cement plug;
Providing a cable through the cement plug before the cement plug sets, wherein the cable comprises a sensor for monitoring parameters of the cement plug;
Operating the sensor to measure parameters of the cement plug; and
Transmitting information regarding the measurement to the surface.
13. A method according to claims 12 comprising deploying the cable from the surface.

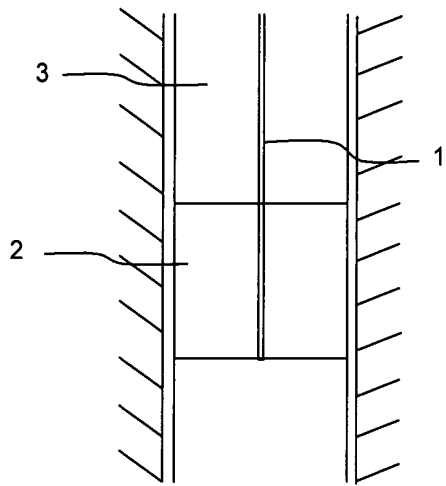


Figure 1

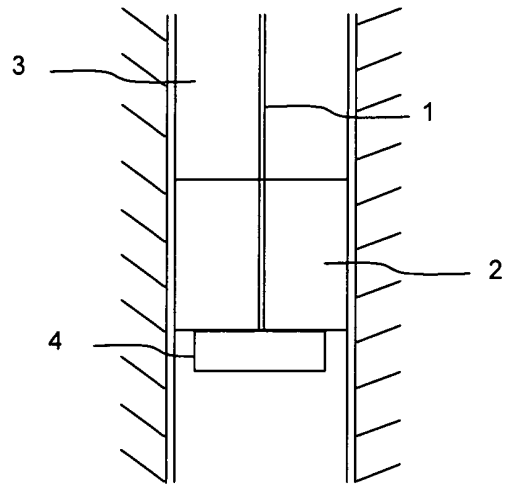


Figure 2

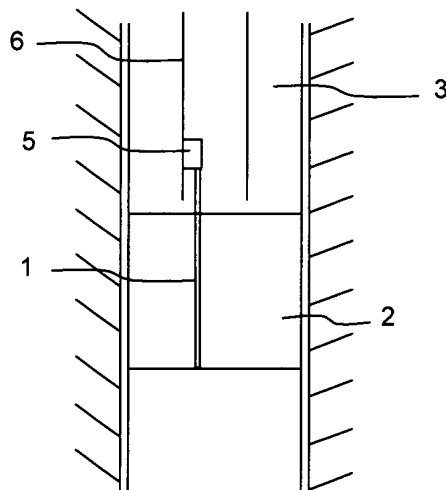


Figure 3

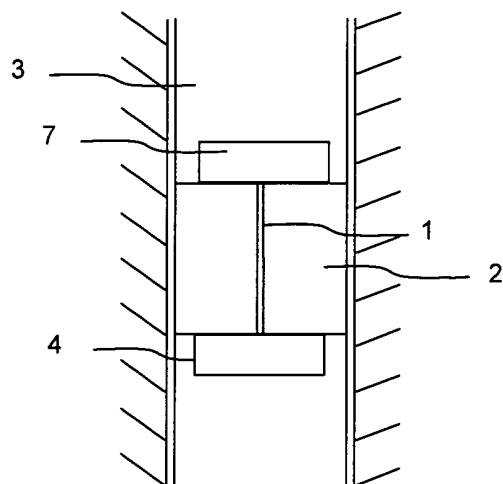


Figure 4

INTERNATIONAL SEARCH REPORT

International application No
PCT/EP2009/008425

A. CLASSIFICATION OF SUBJECT MATTER INV. E21B33/134 E21B47/12 ADD. E21B47/00		
According to International Patent Classification (IPC) or to both national classification and IPC		
B. FIELDS SEARCHED		
Minimum documentation searched (classification system followed by classification symbols) E21B		
Documentation searched other than minimum documentation to the extent that such documents are included in the fields searched		
Electronic data base consulted during the international search (name of data base and, where practical, search terms used) EPO-Internal		
C. DOCUMENTS CONSIDERED TO BE RELEVANT		
Category*	Citation of document, with indication, where appropriate, of the relevant passages	Relevant to claim No.
X	US 6 230 800 B1 (BRYANT IAN [US]) 15 May 2001 (2001-05-15)	1-7,9-12
Y	column 4, line 54 - column 5, line 14 -----	8
Y	US 2004/047534 A1 (SHAH VIMAL V [US] ET AL) 11 March 2004 (2004-03-11) paragraphs [0012] - [0013] -----	8
X	US 6 478 086 B1 (HANSEN HENNING [NO]) 12 November 2002 (2002-11-12) column 2, lines 60-64 column 3, lines 9-11 column 3, lines 26-44 -----	13-15
A	US 4 607 694 A (SAH RAMESH [CA]) 26 August 1986 (1986-08-26) column 4, lines 7-13 column 4, lines 40-50 -----	1-15
<input type="checkbox"/> Further documents are listed in the continuation of Box C. <input checked="" type="checkbox"/> See patent family annex.		
* Special categories of cited documents : "A" document defining the general state of the art which is not considered to be of particular relevance "E" earlier document but published on or after the international filing date "L" document which may throw doubts on priority claim(s) or which is cited to establish the publication date of another citation or other special reason (as specified) "O" document referring to an oral disclosure, use, exhibition or other means "P" document published prior to the international filing date but later than the priority date claimed "T" later document published after the international filing date or priority date and not in conflict with the application but cited to understand the principle or theory underlying the invention "X" document of particular relevance; the claimed invention cannot be considered novel or cannot be considered to involve an inventive step when the document is taken alone "Y" document of particular relevance; the claimed invention cannot be considered to involve an inventive step when the document is combined with one or more other such documents, such combination being obvious to a person skilled in the art. "&" document member of the same patent family		
Date of the actual completion of the international search 3 February 2010		Date of mailing of the international search report 16/02/2010
Name and mailing address of the ISA/ European Patent Office, P.B. 5818 Patentlaan 2 NL - 2280 HV Rijswijk Tel. (+31-70) 340-2040, Fax: (+31-70) 340-3016		Authorized officer Garrido Garcia, M

INTERNATIONAL SEARCH REPORT

Information on patent family members

International application No

PCT/EP2009/008425

Patent document cited in search report	Publication date	Publication date	Patent family member(s)	Publication date
US 6230800	B1	15-05-2001	AU 5922600 A	13-02-2001
			GB 2370303 A	26-06-2002
			WO 0107754 A1	01-02-2001

US 2004047534	A1	11-03-2004	NONE	

US 6478086	B1	12-11-2002	AU 739708 B2	18-10-2001
			AU 4805199 A	06-12-1999
			BR 9910245 A	09-01-2001
			CA 2329009 A1	25-11-1999
			DE 69909617 D1	21-08-2003
			DE 69909617 T2	09-06-2004
			EP 1076759 A1	21-02-2001
			ID 27753 A	26-04-2001
			NO 982017 A	05-11-1999
			WO 9960250 A1	25-11-1999

US 4607694	A	26-08-1986	CA 1224937 A1	04-08-1987
